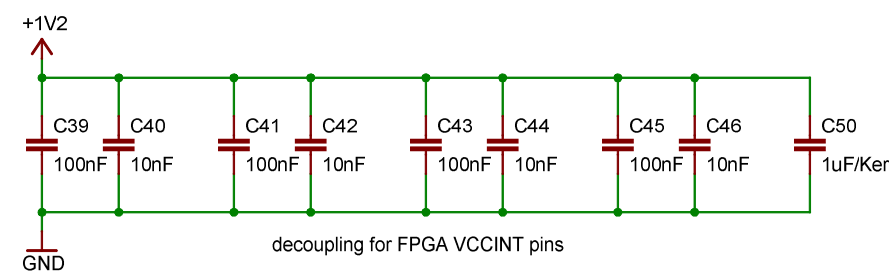
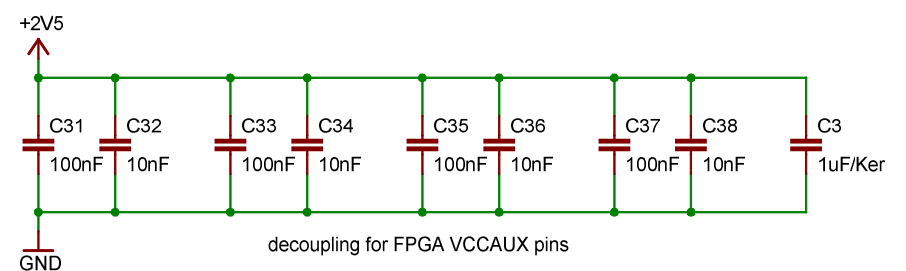
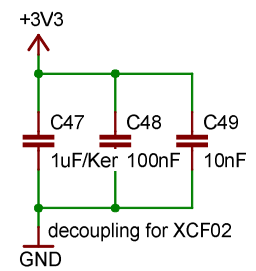
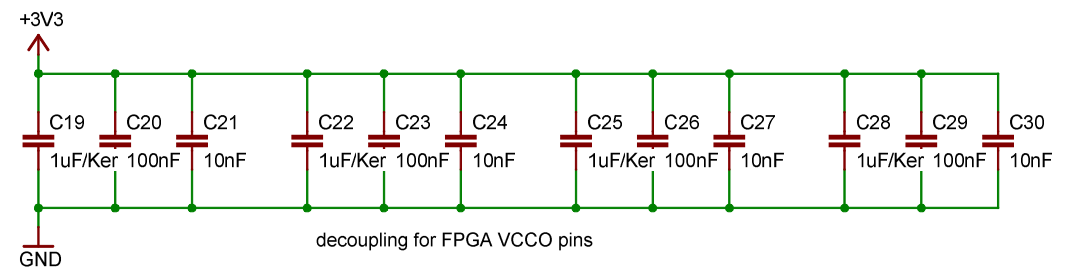
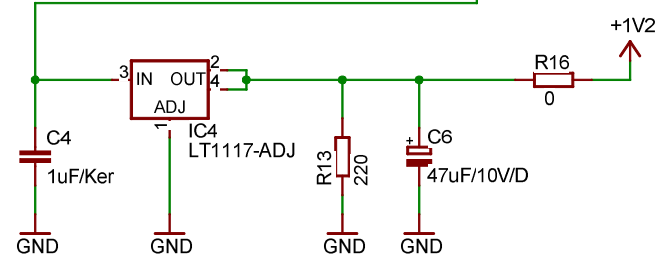
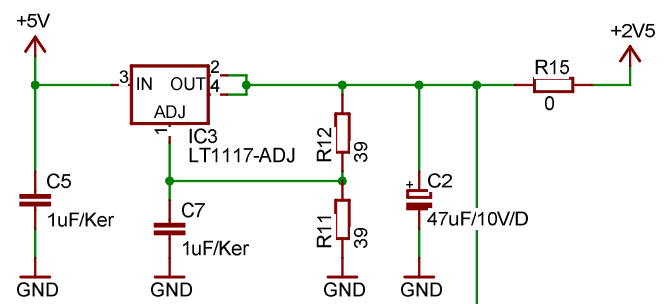
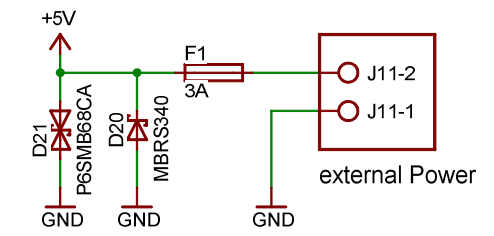
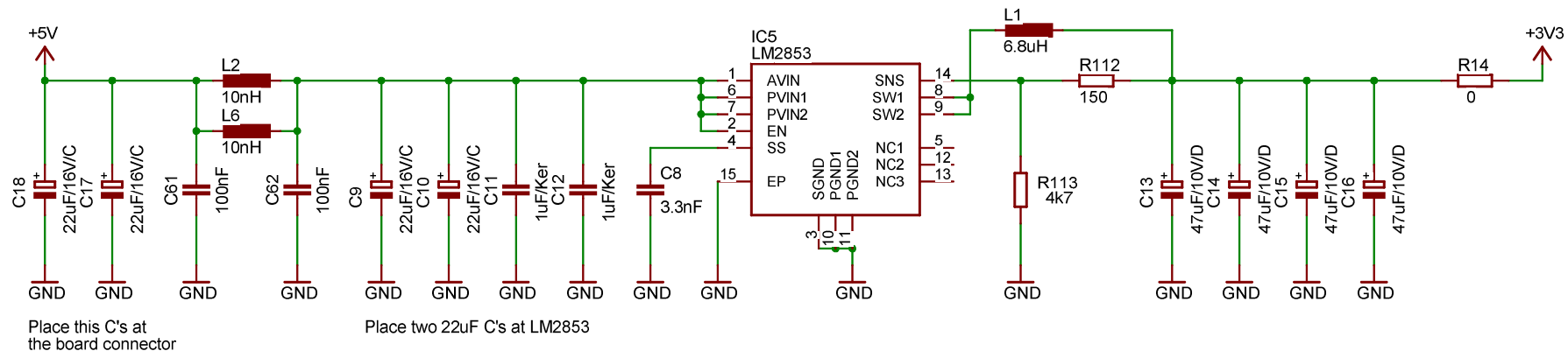
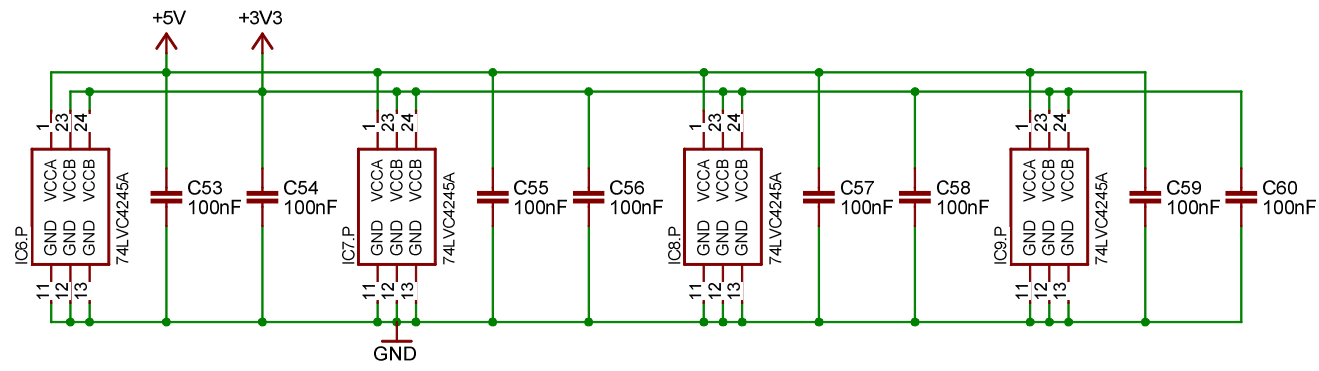
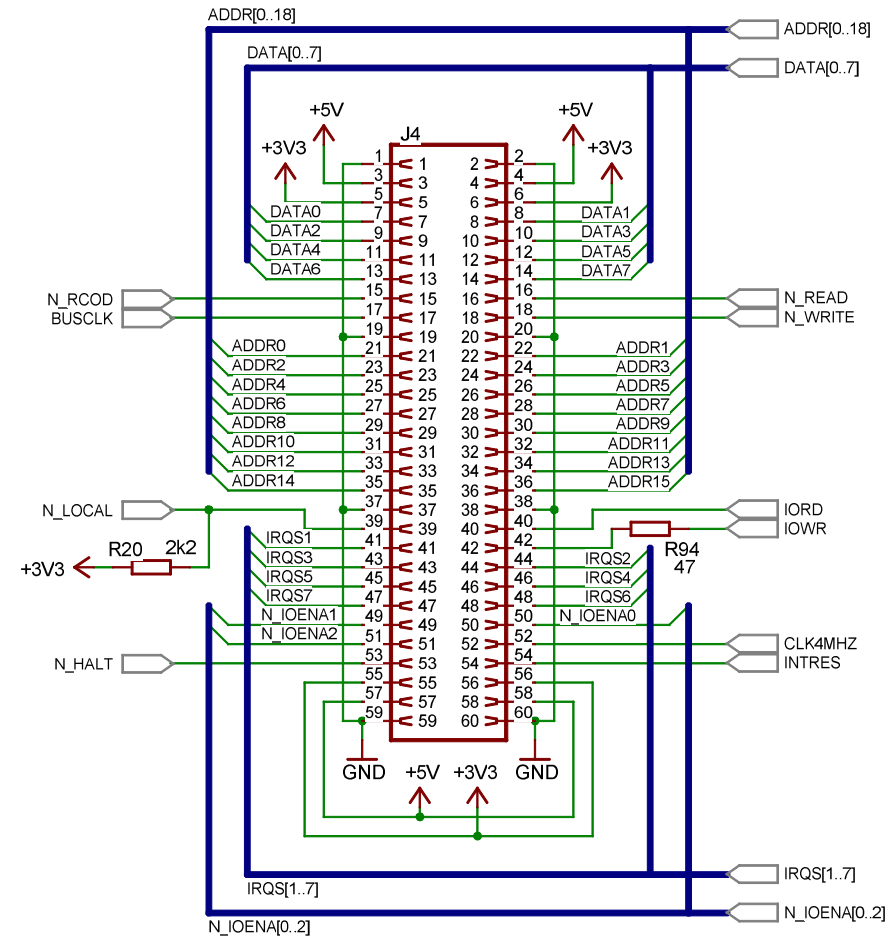
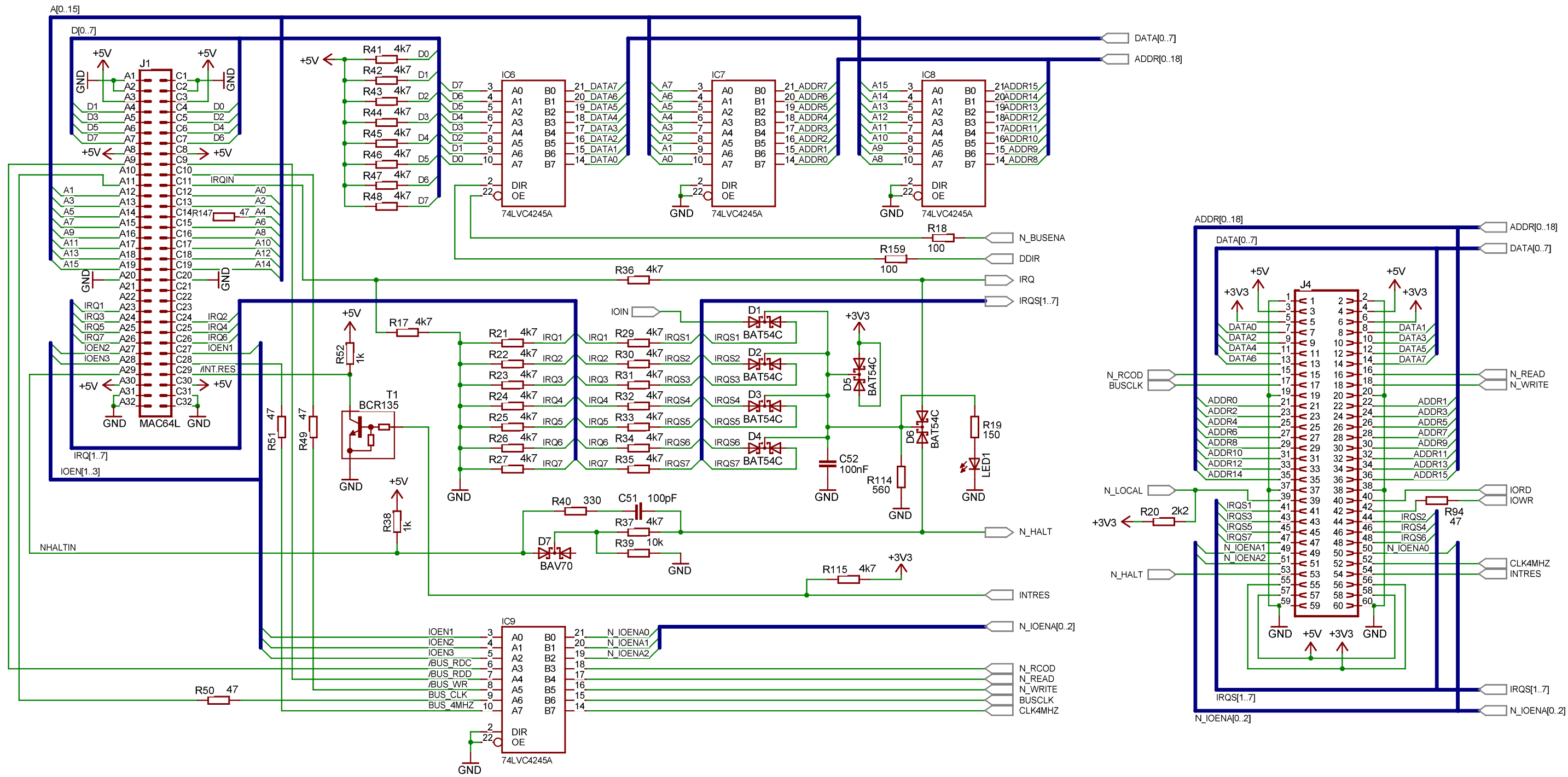


Project: MyCPU Compact	Dennis Kuschel Germany dennis_k@freenet.de
TITLE: mycpuc	
Document Number:	Spartan 3e FPGA
Date: 15.03.2010 11:39:04	Sheet: 1/7

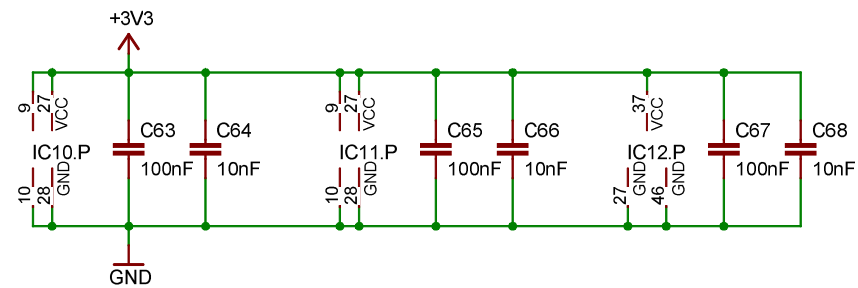
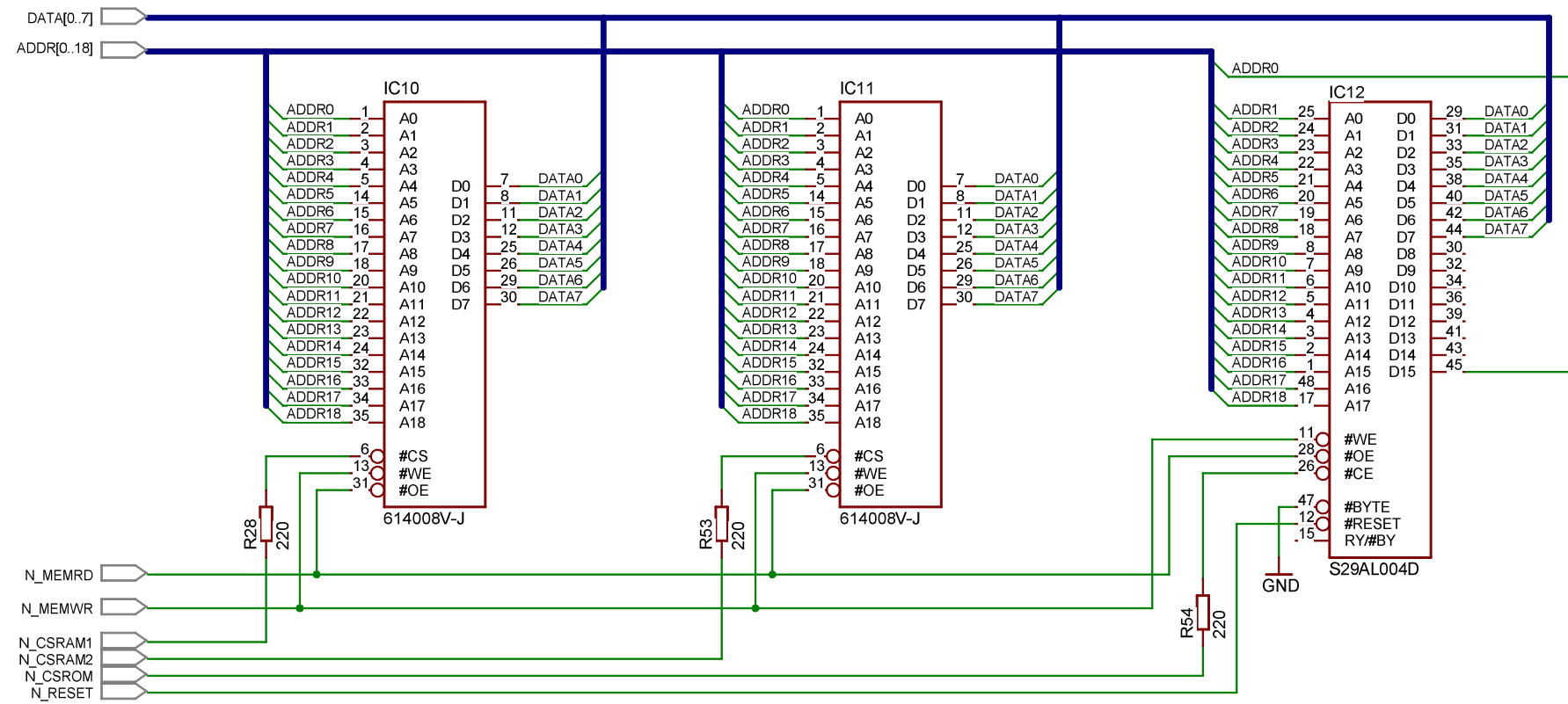


- H1 MOUNT-HOLE3.2
- H2 MOUNT-HOLE3.2
- H3 MOUNT-HOLE3.2
- H4 MOUNT-HOLE3.2

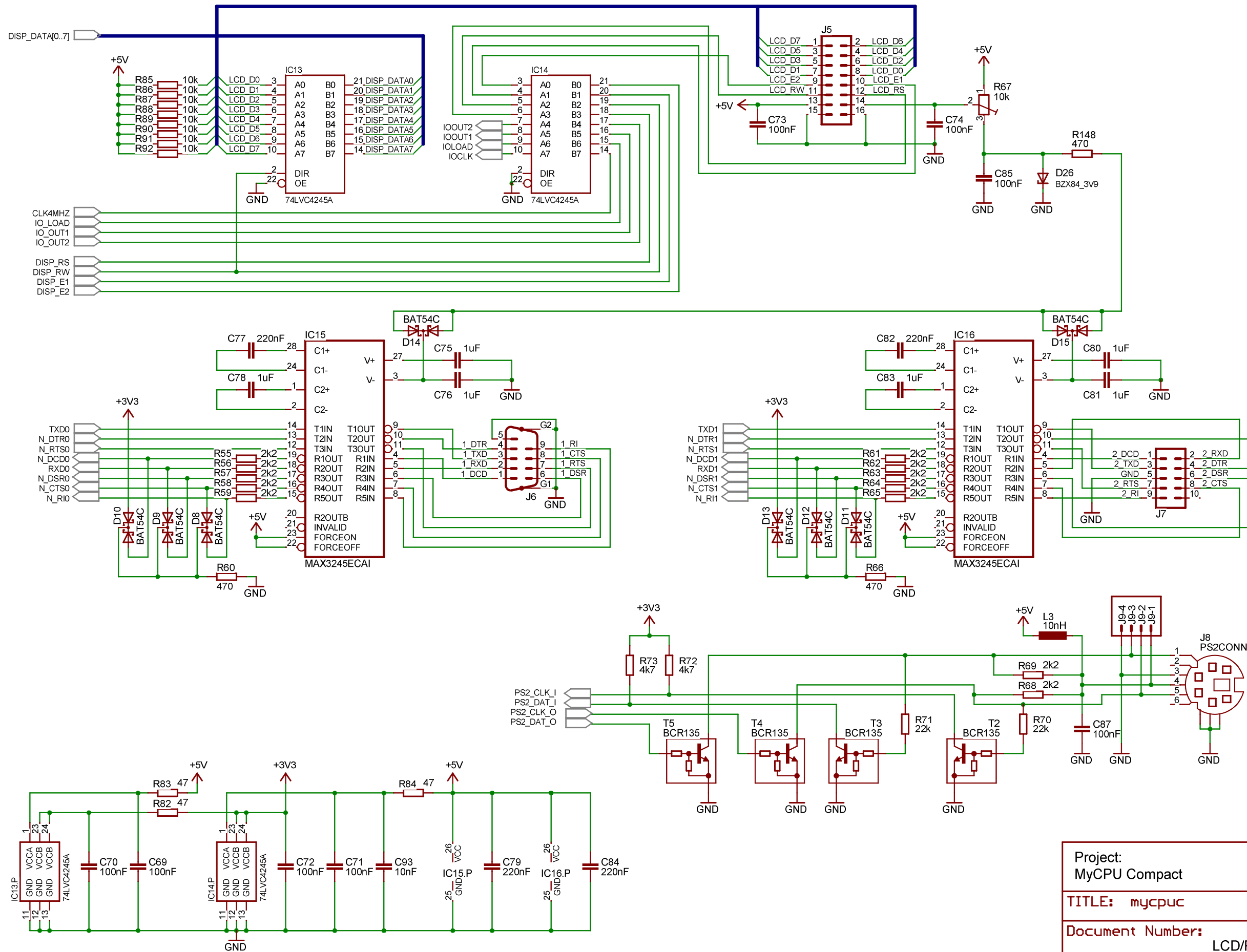
Project: MyCPU Compact	Dennis Kuschel Germany dennis_k@freenet.de
TITLE: mycpuc	
Document Number:	Power Supply
Date: 15.03.2010 11:39:04	REV: 1
Sheet: 2/7	



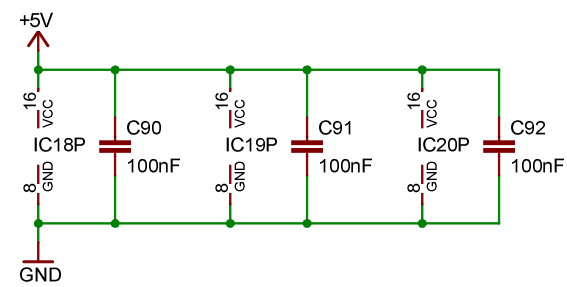
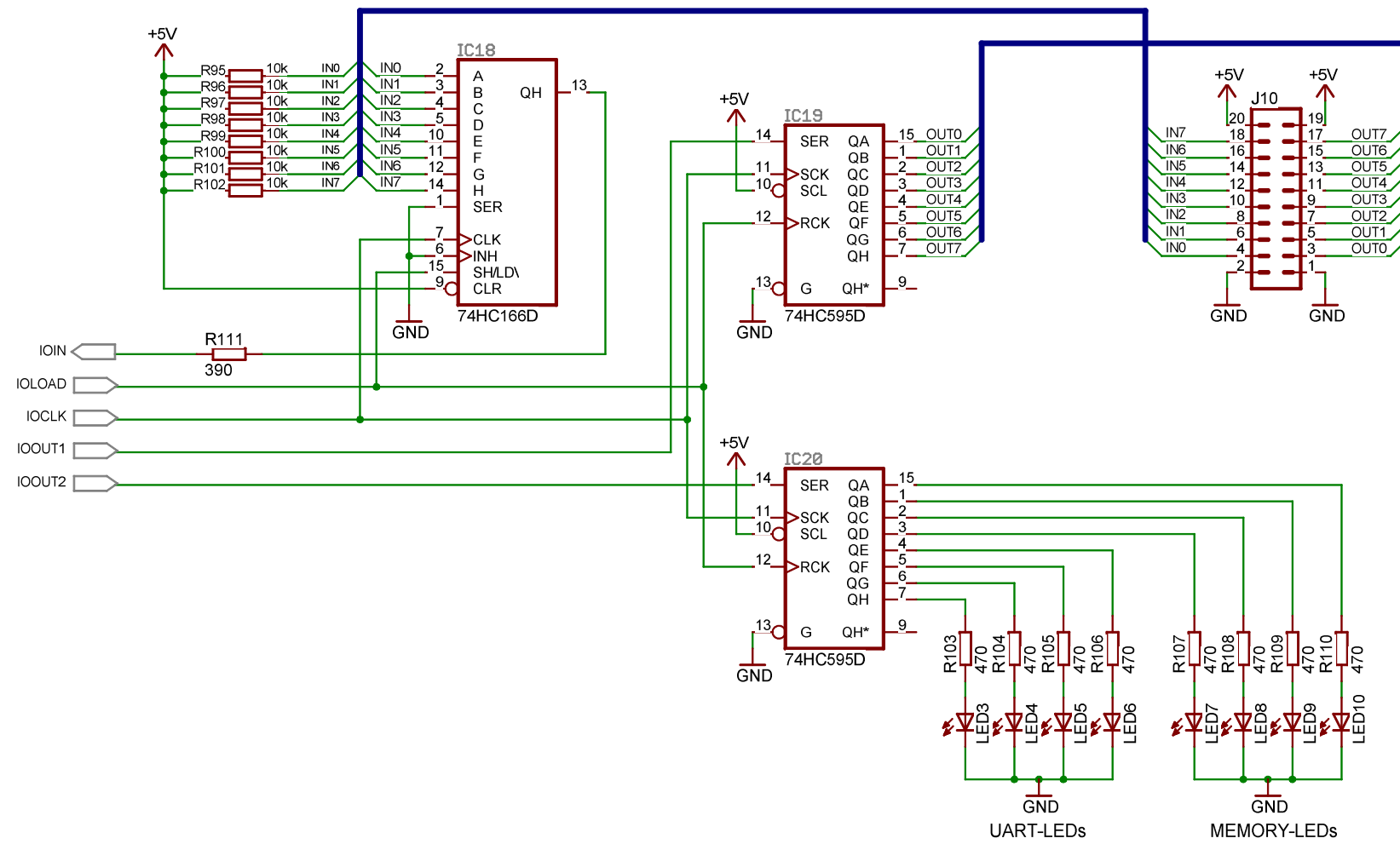
Project: MyCPU Compact	Dennis Kuschel Germany dennis_k@freenet.de
TITLE: mycpuc	
Document Number:	Bus Interface
Date: 15.03.2010 11:39:04	REV: 1
Sheet: 3/7	



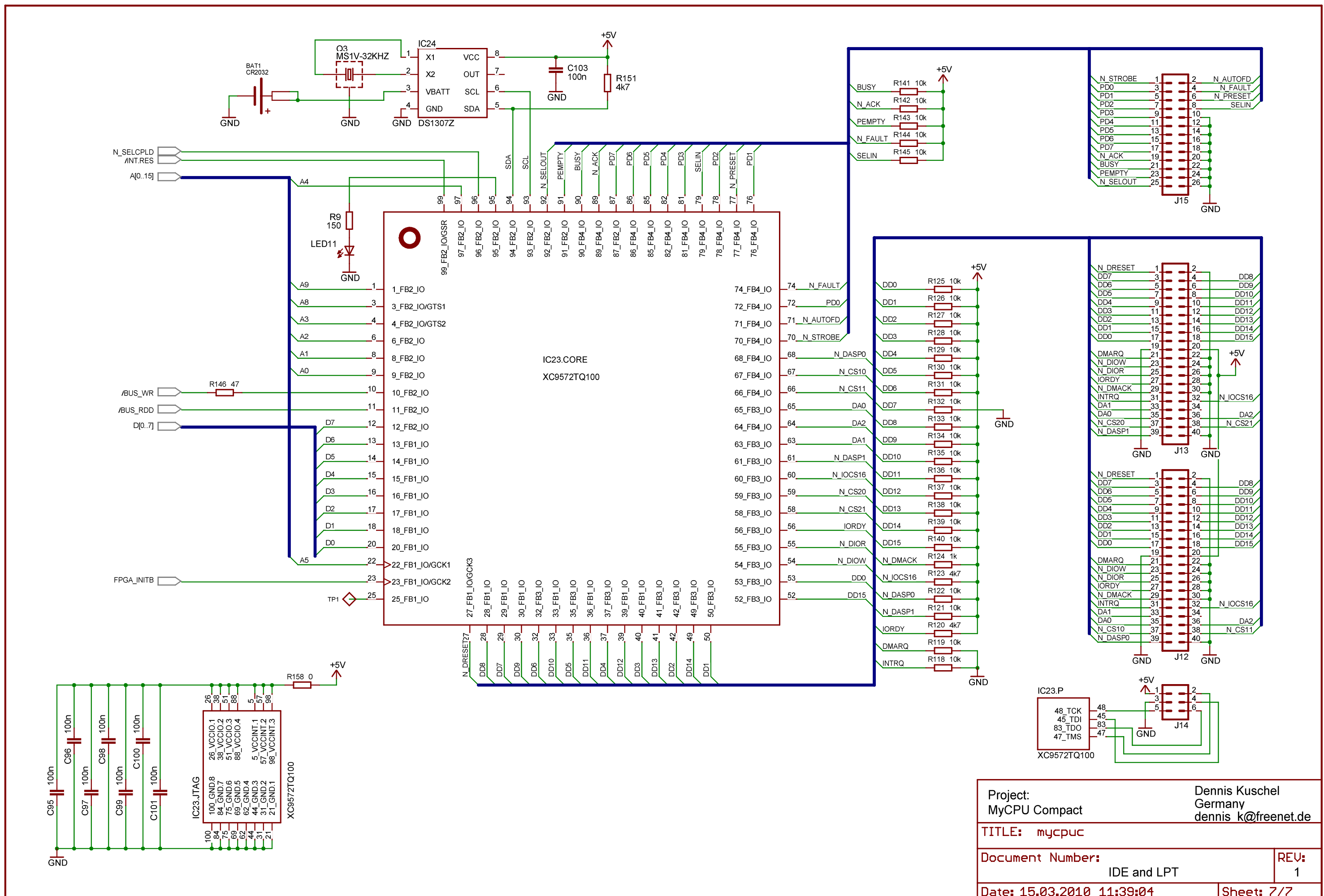
Project: MyCPU Compact	Dennis Kuschel Germany dennis_k@freenet.de
TITLE: mycpuc	
Document Number:	Memory
Date: 15.03.2010 11:39:04	Sheet: 4/7
	REV: 1



Project: MyCPU Compact		Dennis Kuschel Germany dennis_k@freenet.de	
TITLE: mycpuc			
Document Number: LCD/PS2/RS232 Interface			REV: 1
Date: 15.03.2010 11:39:04		Sheet: 5/7	



Project:	Dennis Kuschel
MyCPU Compact	Germany
	dennis_k@freenet.de
TITLE: mycpuc	
Document Number:	Parallel I/O and LEDs
	REU: 1
Date: 15.03.2010 11:39:04	Sheet: 6/7



Project: MyCPU Compact	Dennis Kuschel Germany dennis_k@freenet.de
TITLE: mycpuc	
Document Number: IDE and LPT	REV: 1
Date: 15.03.2010 11:39:04	Sheet: 7/7